

### Boarding:

Once inflated the module can be boarded.



## Jon Buoy Recovery Module Mk 3 and 4

### Installation & Operating Instructions



### Recovery:

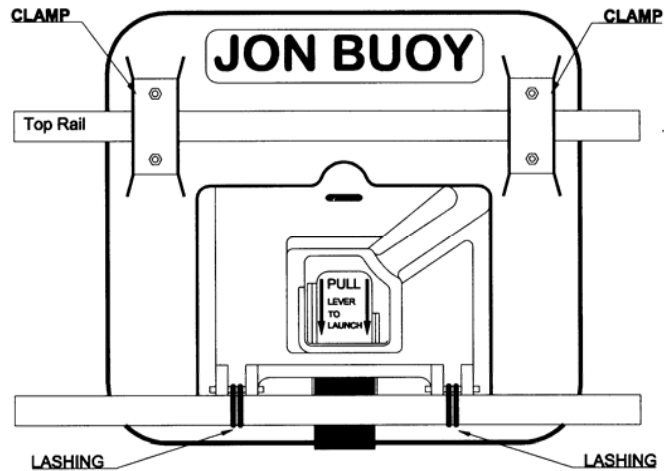
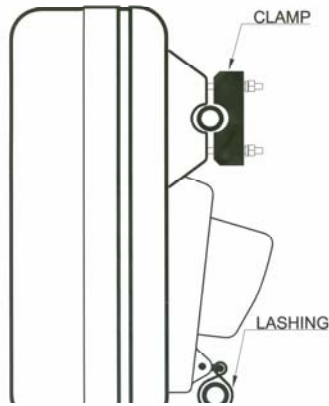
To recover the occupied module from the water, attach a halyard or line to the webbing strop, and winch the module and occupant back on board.

Ocean Safety Limited  
Saxon Wharf  
Lower York Street  
Southampton  
SO14 5QF  
United Kingdom

Tel: +44(0) 23 80 72 00 00  
Fax: +44(0) 23 80 72 00 01  
[www.oceansafety.com](http://www.oceansafety.com)

### Positioning on the boat.

The Jon Buoy can be mounted to any standard rail, using the clamps and lashings provided. Wherever possible the Jon Buoy should be mounted on the stern. Always mount the Jon Buoy away from direct contact from waves or direct flow of water down the side of the vessel.



### Installation:

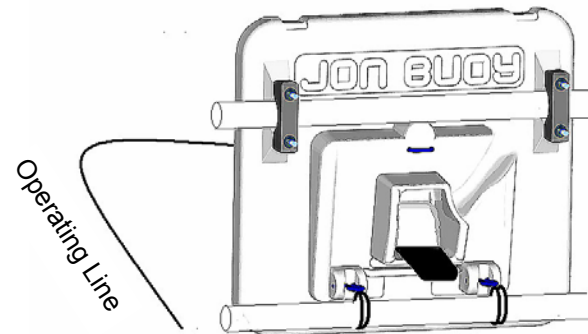
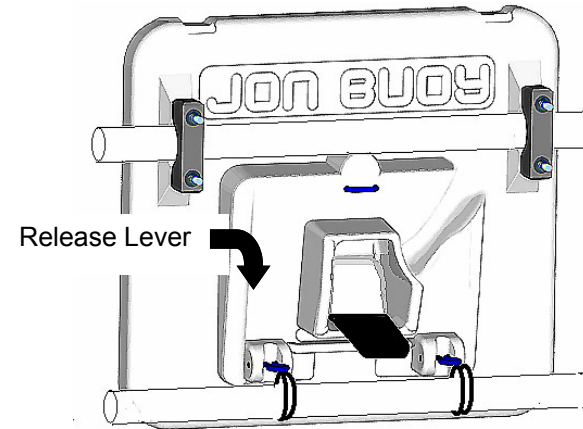
Position the clamps on the back plate over the top rail and tighten. Then lash the back plate to a lower rail using the loops and lashings.

### Servicing:

It is recommended that the Jon Buoy is serviced **Annually** at an approved Jon Buoy service station.

### Launching:

Pull the release lever down through 90°



Upon release the module will automatically fall out-board and inflation will be initiated.